

Heated towel dryer

Dutch Line

Thank you for purchasing this product. Please read the instructions and warnings carefully beforehand to ensure safe and satisfactory use of this product.

Fitting instructions

You will need a power drill, 6mm masonry drill bit, medium cross-head screwdriver, tape measure, spirit level and a pencil to install this product. Ensure the wall surface is of suitable strength and construction. Use appropriate wall plugs and drill bit. If in doubt, consult a qualified person.

Care and safety

Wear suitable eye protection when drilling. When using power tools near water - for added protection against electric shock the use of a residual current device is advised. Beware of hidden pipes or power cables. Take care when drilling on glazed tile surfaces in case the drill slips.

Warnings

This product should be fitted in accordance with the manufacturer's fitting instructions.

Cleaning

Clean with a soft cloth or chamois leather moistened with water, or for stubborn marks with a mild solution of water and washing up liquid. Do not use scourers or cleaning agents containing abrasives such as powder cleaners, as these will damage the surface finishes.

Please retain this information leaflet for future reference.

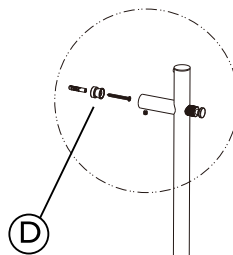
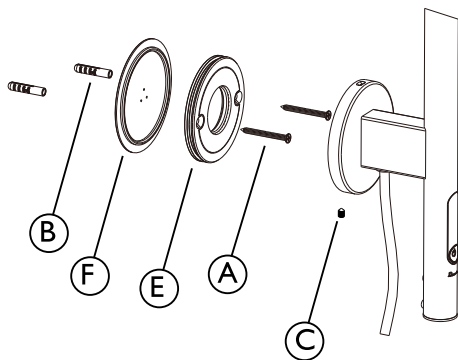
Cable instructions:

Brown wire = Live
Blue = Neutral
Green & Yellow = Earth



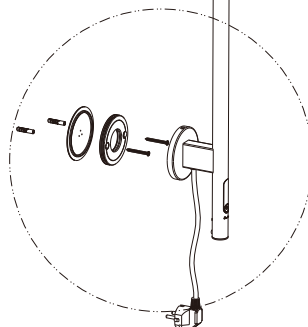
Part List:

- A. 3 M4x30mm screw
- B. 3 M6 expander
- C. 2 M5x6mm screw
- D. 1 Aluminum fixture
- E. 1 Plastic fixture
- F. 1 Silicon pad
- G. 1 3-pole terminal

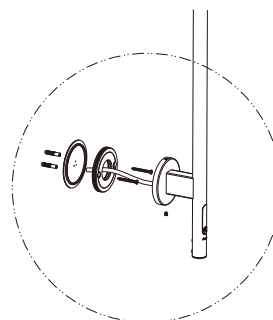


1. Check if the top and bottom bracket are in line before installing.
2. Position the bottom bracket to the power supply.
3. Put the unit against the wall and make sure it is vertical to the floor by the levels.
4. Marking the position of top bracket and bottom bracket by a pencil or marker pen.
5. Drill the holes with M6 drill.
6. Hammer the plastic expander into the wall and fix the aluminium part at the top by a M4x30mm screw.
7. Lead wire through the silicon pad and fix the plastic fixture at the bottom by 2 M4x30mm screws.
8. At exposed connection, connect the plug to the socket.
9. At hidden connection, cut the cord (about 6 cm left) and connect it to the terminal (G) through the hidden connection. Make sure the right color of wires matches.
10. Fix the top bracket and bottom bracket by a M5x6mm screw.

Disconnect or turn off electricity while fitting towel rail
If in doubt consult a qualified electrician



Exposed connection



Hidden connection

Timer Settings

The towel dryer timer can be set to 3 different operating modes:

1. Continuous operation

- press/hold the On/Off button for 3 seconds to switch on the dryer, the dryer will start to warm up (all lights on).
- Press/hold the on/off button again to switch off the dryer, it stops heating.

2. Time booster

- By pressing the On/Off button once, the timer function is activated.
- One light stands for 2 hours. By press the On/Off button again, turns on more lights and set different working time. After 3 seconds, the turned-on light will flash twice and starts to heating. The lights will count down until they turn off automatically.
- Press the On/Off button any time the timer is turned off.
- The towel dryer stops heating.

3. Timer for 24-hour

- Press the On/Off button once to activate the timer function.
- By pressing the On/Off button to choose the time you want, hold the On/Off button for 3 seconds, the indicator light will flash twice.
- The towel dryer starts heating for the set time and counts down the time.
- The towel dryer automatically switches off (stops heating) after the time counts down to zero and goes into sleep mode.
- The indicator light will flash intermittently to indicate that the towel dryer is in sleep mode. The towel dryer will automatically switch on at the same time when you activate the timer every day, e.g.: if the timer was activated at 7am for 2 hours, the towel dryer will automatically turn on each day at 7am for 2 hours, then turn off).

The timer can be stopped by pressing the On/Off button at any time. The dryer will then automatically switch to sleep mode. Press the On/Off button once more, the 24-hour timer will be canceled and the towel dryer is turned off completely.

